

FRADOR

CHLORBUTOL 1.0% w/v

- Gives prompt relief from the pain associated with mouth ulcers and gum sores and on-going protection from saliva, bacteria and food whilst healing proceeds.
- Frador should be applied 4 times a day after meals and before going to bed.
- In the event of missing an application, apply as needed.

DIRECTIONS:

- Stand bottle in tray provided.
- Dry ulcer.
- Using applicator, apply Frador directly to mouth ulcer. There may be a temporary tingling sensation.
- Keep mouth open for several seconds to allow Frador to dry. Application is complete.
- If healing does not start within a few days always consult your doctor.

CAUTION:

As with all medicines - **KEEP OUT OF REACH OF CHILDREN. For adult use only.**
 Avoid use in pregnancy. Keep away from naked flame. Retain carton for instructions. Not to be taken internally. In rare occurrences users can experience a local reaction to some or all of the ingredients. If excess irritation occurs during or after application, stop use. If condition persists, contact your pharmacist or doctor. There have been no reports of ill-effects from overdosage. Store at room temperature. Avoid spilling on polished surfaces or fabrics. Spilt Frador can be removed from hands and fingers with methylated spirits.

Licence Holder: Castagnola Ltd, London NW3 6AL. Date of Revision of Text: 19/04/2012
 Contract Manufacturer: Thorpe Laboratories Ltd, LN12 1NB. Distributor: Fenton Pharmaceuticals Ltd, London NW3 6AL.

PL 01520/0001

G.S.L

Batch No:
 Expiry Date:

Active Ingredients: Chlorbutol B.P. 1.0% w/v
 Excipients: Menthol B.P. 0.1% w/v, Prep Syrax B.P.C. 2.8% w/v,
 Balsamic Benzoin 15.0% w/v, in Alcohol Solution to 100% Carmoisine.

FRADOR

FRADOR
 For mouth ulcers

For mouth ulcers and gum sores

- Immediate effective relief
- Soothes pain & aids healing
- Hygienic application

3.5ml

CHLORBUTOL 1.0% w/v

FRADOR



FRADOR

CHLORBUTOL 1.0% w/v

- Gives prompt relief from the pain associated with mouth ulcers and gum sores and on-going protection from saliva, bacteria and food whilst healing proceeds.
- Frador should be applied 4 times a day after meals and before going to bed. In the event of missing an application, apply as needed.

DIRECTIONS:

- Stand bottle in tray provided.
- Dry ulcer.
- Using applicator, apply Frador directly to mouth ulcer. There may be a temporary tingling sensation.
- Keep mouth open for several seconds to allow Frador to dry. Application is complete.
- If healing does not start within a few days always consult your doctor.

CAUTION:

As with all medicines - KEEP OUT OF REACH OF CHILDREN. For adult use only. Avoid use in pregnancy. Keep away from naked flame. Retain carton for instructions. Not to be taken internally. Irritation or allergic reactions can occur. If irritation occurs during or after application, stop use. If condition persists, contact your pharmacist or doctor. There have been no reports of ill-effects from overdosage. Store at room temperature. Avoid spilling on polished surfaces or fabrics. Spilt Frador can be removed from hands and fingers with methylated spirits.

Licence Holder: Castagnola Ltd, London NW3 6AL. Date of Revision of Text: 19/04/2012
Contract Manufacture: Thorpe Laboratories Ltd, LN12 1NB. Distributor: Fenton Pharmaceuticals Ltd, London NW3 6AL.

PL 01520/0001

Active Ingredients: Chlorbutol B.P. 1.0% w/v
Excipients: Menthol B.P. 0.1% w/v, Prep Syrax B.P.C. 2.9% w/v,
Balsamic Benzoin 15.0% w/v, in Alcohol Solution to 100% Carmoisine.

Expiry Date:

Batch No:

G.S.L.

GM

FRADOR

FRADOR
For mouth ulcers

For mouth ulcers and gum sores

- Immediate effective relief
- Soothes pain & aids healing
- Hygienic application

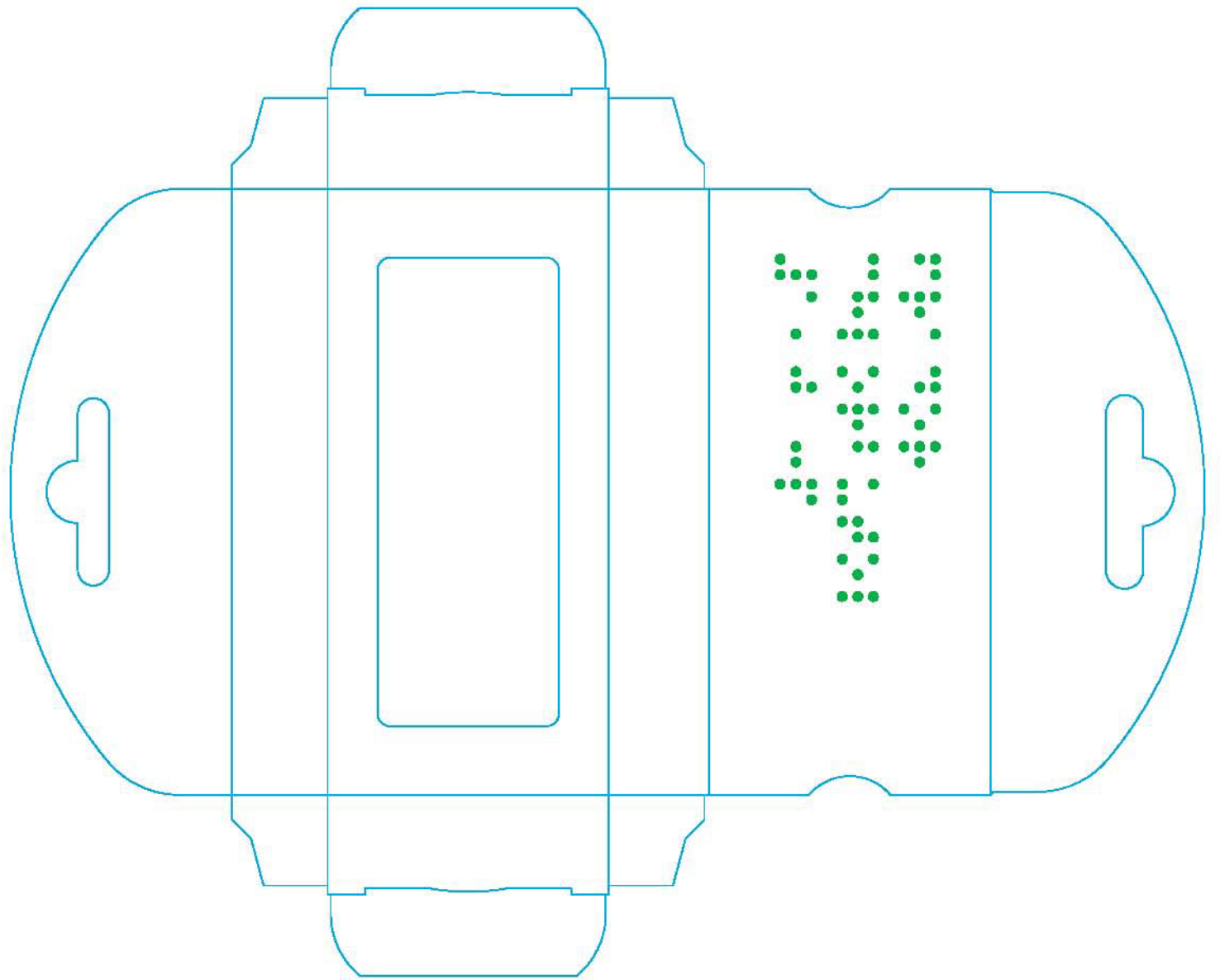
3.5ml

CHLORBUTOL 1.0% w/v

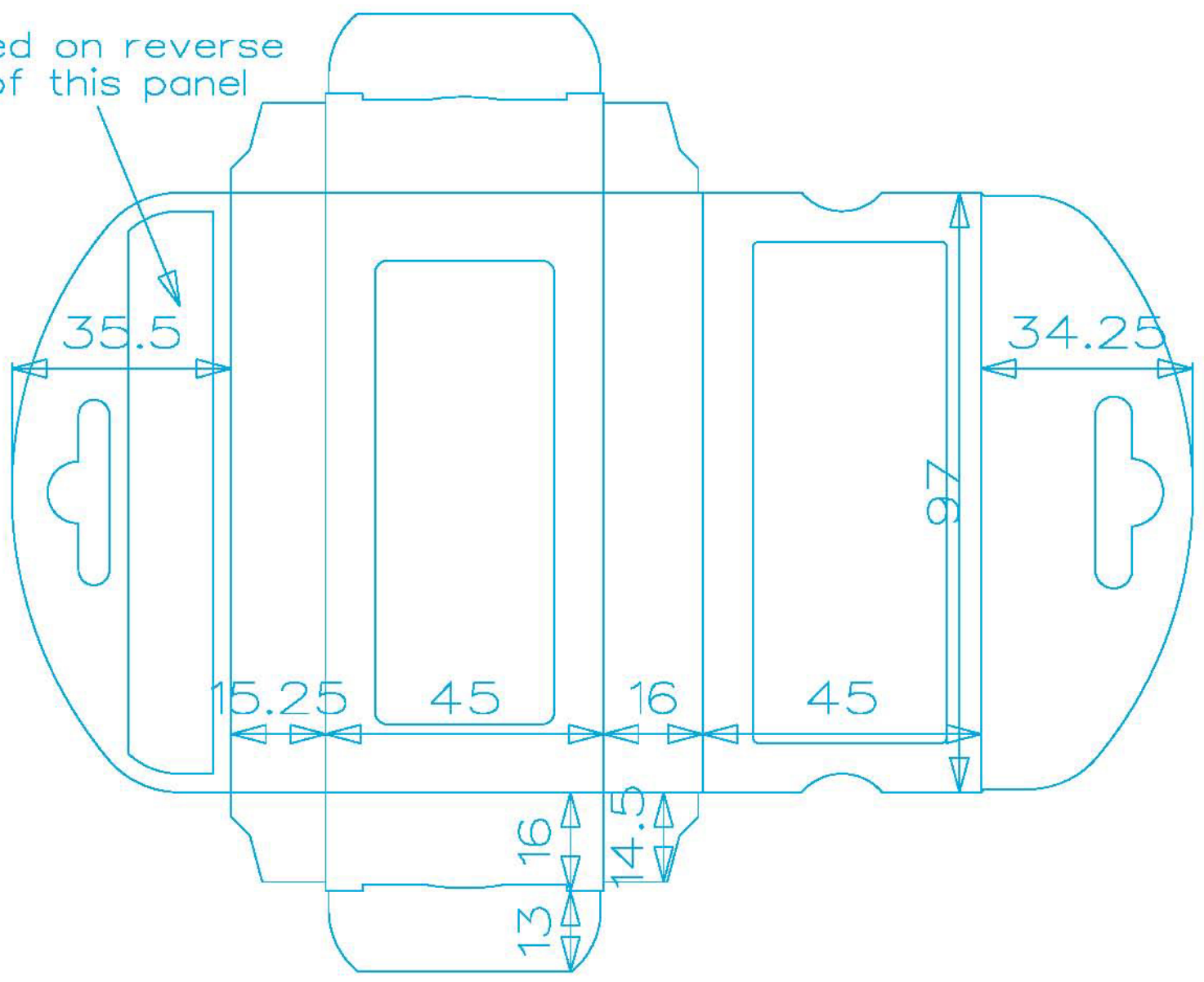
FRADOR



5 027599 001008 >



Glued on reverse
of this panel



FRADOR

FOR TOPICAL USE IN THE MOUTH

Chlorbutol B.P. 1% W/V
Licence holder:
CASTANGNOLA LTD
London NW3 6AL
Made in England
3.5 ml
BN-1816
Expiry Date 03/15

FRADOR

FOR TOPICAL USE IN THE MOUTH

Chlorbutol B.P. 1% W/V
Licence holder:
CASTANGNOLA LTD
London NW3 6AL
Made in England
3.5 ml
BN-1816
Expiry Date 03/15